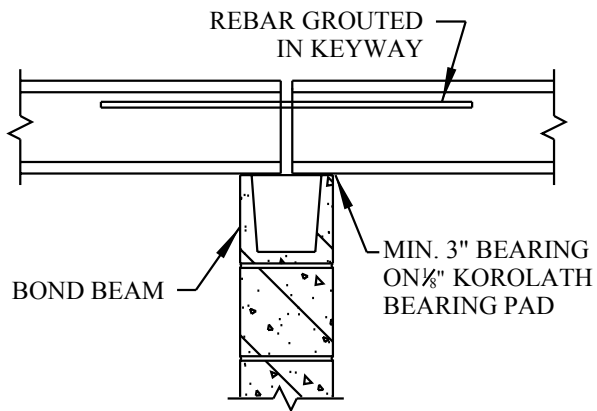
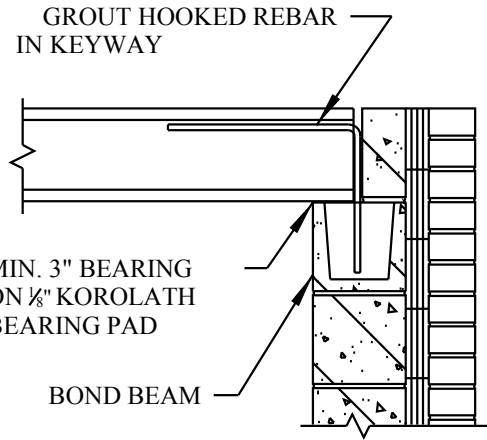


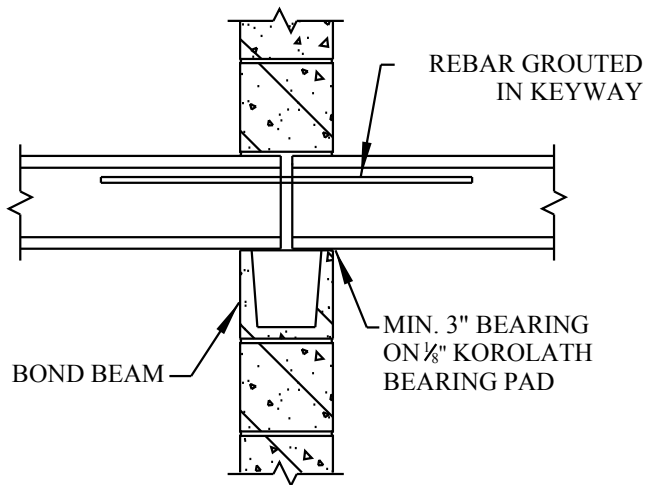
# COREFLOOR ON MASONRY



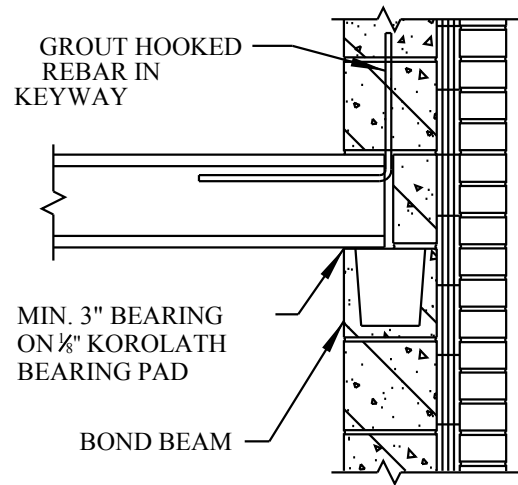
**INTERIOR BEARING WALL AT ROOF**



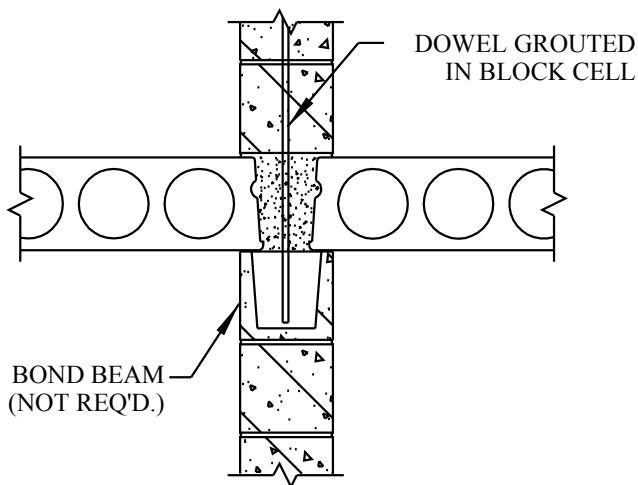
**EXTERIOR BEARING WALL AT ROOF**



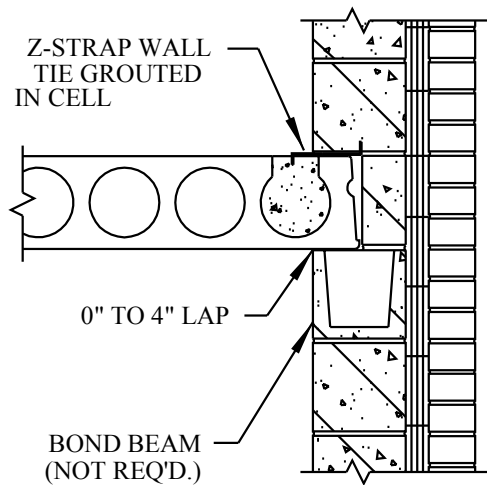
**INTERIOR BEARING WALL AT FLOOR**



**EXTERIOR BEARING WALL AT FLOOR**



**INTERIOR SHEAR WALL**



**EXTERIOR NON-BEARING WALL**