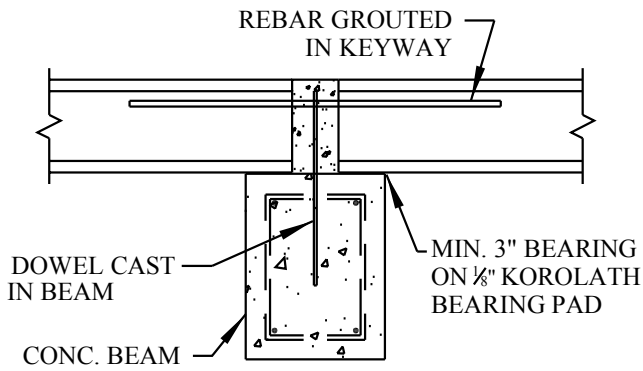
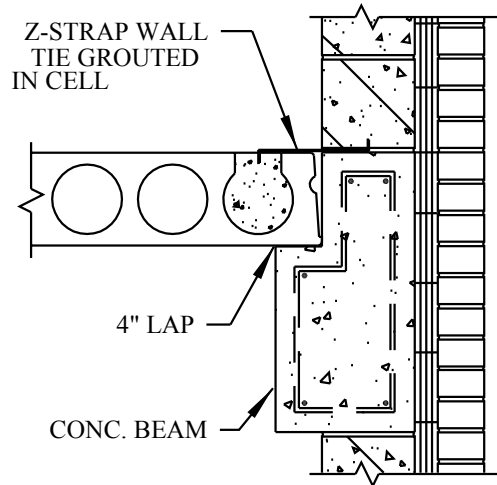


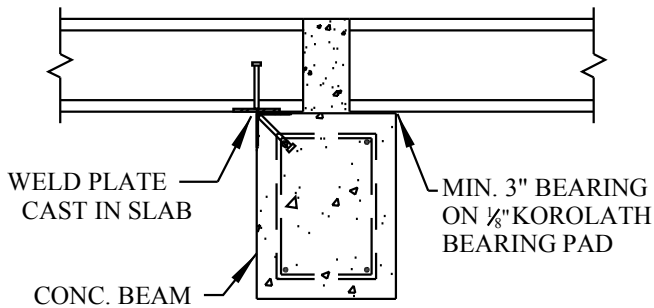
# COREFLOOR ON CONCRETE



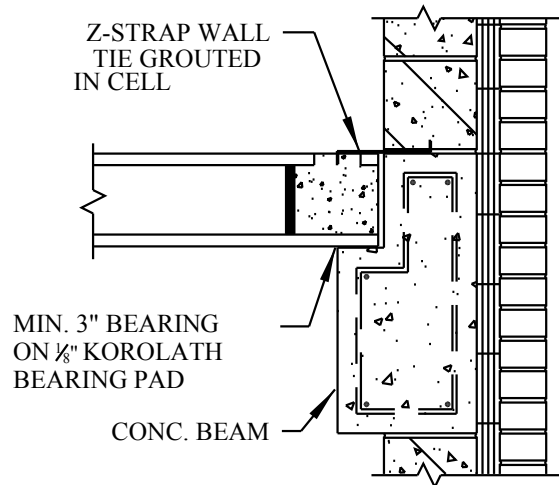
**INTERIOR CONCRETE BEAM**



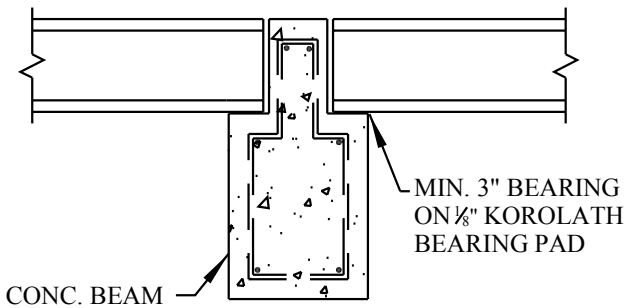
**EXTERIOR CONCRETE BEAM**



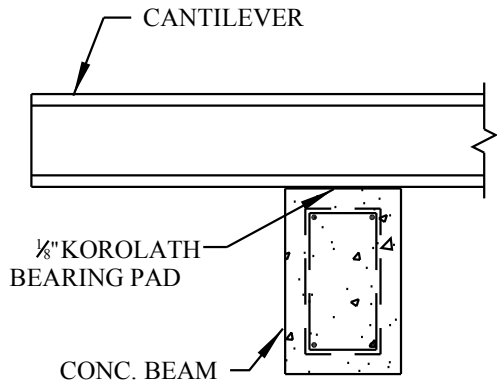
**INTERIOR CONCRETE BEAM**



**EXTERIOR CONCRETE BEAM**



**INVERTED CONCRETE TEE BEAM**



**CANTILEVER WITH CONC. BEAM**