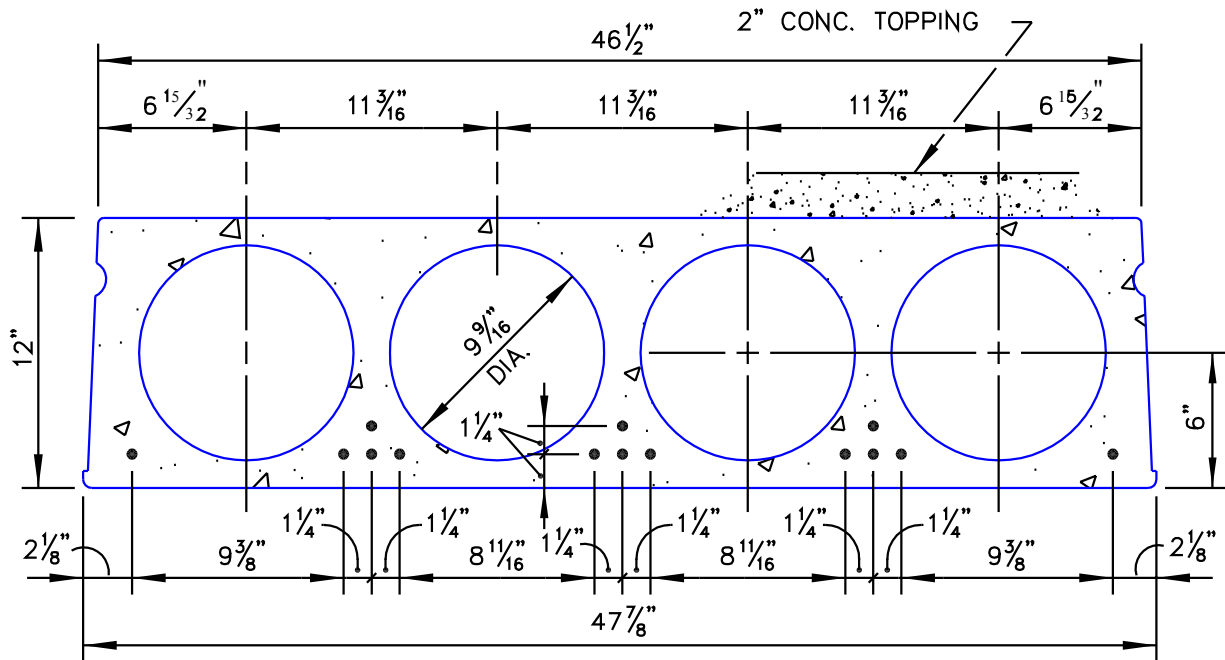


# 12" COREFLOOR

## FIGURES INDICATE SUPERIMPOSED LOADS



### SECTION PROPERTIES

NON-COMPOSITE		COMPOSITE	
A= 279	IN. <sup>2</sup>	I= 5153	IN. <sup>4</sup>
Y <sub>B</sub> = 6.0	IN.	WT= 73	PSF
Y <sub>T</sub> = 6.0	IN.	A= 375	IN. <sup>2</sup>
		Y <sub>B</sub> = 7.49	IN.
		Y <sub>T</sub> = 6.51	IN.
		I= 8084	IN. <sup>4</sup>
		WT= 98	PSF

### SPAN IN FEET

STRAND	38'	40'	42'	44'	46'	48'	50'	52'	54'	56'	58'	60'	62'
12SC68	92	77	64	53	44								
12SC78	115	98	83	70	59	50	41						
12SC 26/88	137	118	101	87	74	64	54	45					
12SC 26/108	179	156	136	118	103	90	78	68	58	50	43		
12SC 26/128	198	173	151	133	116	102	89	78	68	59	51	44	40
12ST78	122	102	85	70	58								
12ST 26/88	147	125	106	89	75	62							
12ST 26/108	194	167	144	124	107	92	78	66	56				
12ST 26/128	235	204	178	155	135	117	102	88	76	65			
12ST 26/138			192	168	147	128	117	97	84	73	63		
12ST 26/148			211	185	162	142	125	109	96	83	72	62	53

### SUPERIMPOSED LOAD CAPACITY IN POUNDS PER SQUARE FOOT

f <sub>ci</sub> = 3500 PSI	CONCRETE TOPPING= 4000 PSI
f <sub>c</sub> = 6500 PSI	SC- UNTOPPED SECTION
STRAND= 270 KSI L.R.	ST- 2" COMPOSITE TOPPING