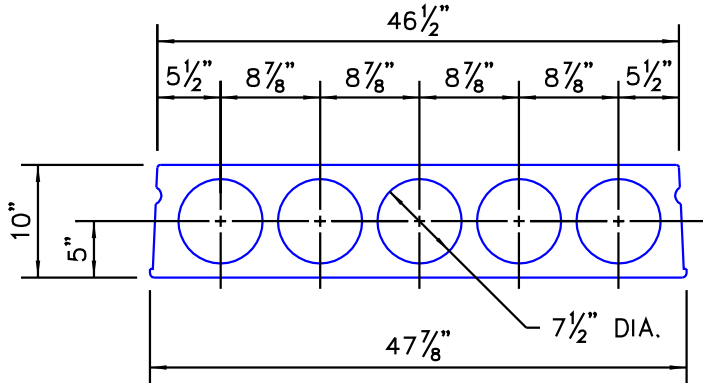
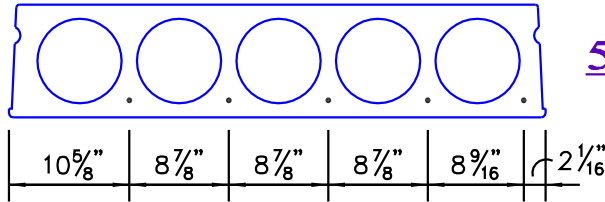


# 10" COREFLOOR

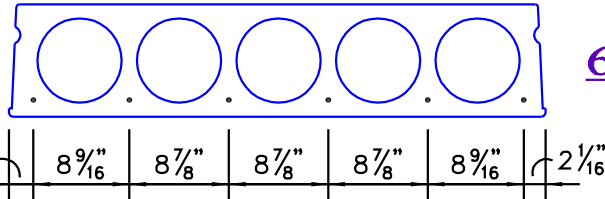
## PHYSICAL PROPERTIES & STRAND PATTERNS



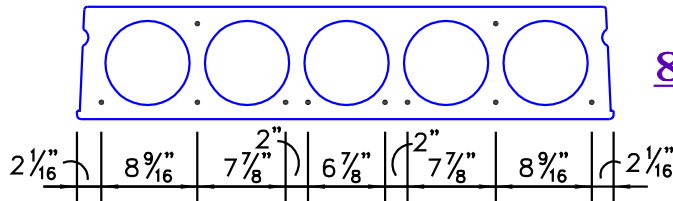
1/4" CONC.  
COVER TYP.



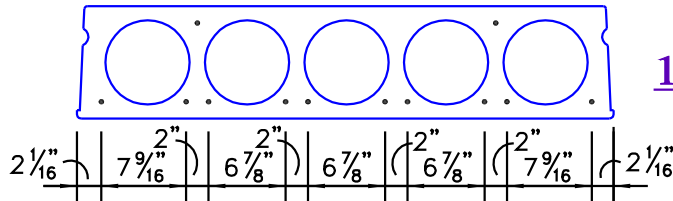
**5 STRAND**



**6 STRAND**



**8 STRAND**



**10 STRAND**